

AIRLESS PAINT SPRAYER

Start Up Procedure

WARNING: High pressure device, thoroughly read and understand the warning section located in the owner's manual and the label on the sprayer.

Step 1: Before you plug in the power cord to the electrical outlet, do the following.

A. Tighten suction and return hoses, then install a minimum of 50' of nylon airless spray hose and airless gun. Do not install tip yet, remove if installed.

B. Preset pressure control by turning the pressure control knob counterclockwise to lowest setting.

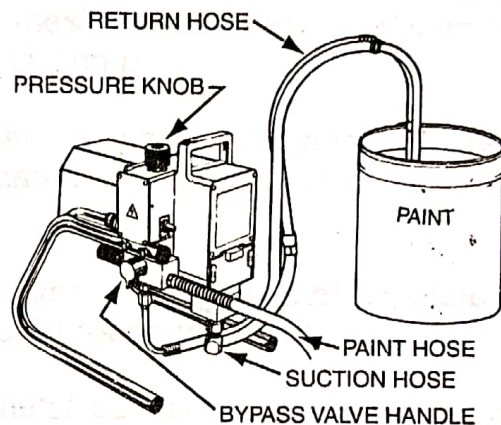
C. Place on-off switch in the off position.

D. Pour 1/2 teaspoon of seal lubricant into oil cup.

Step 2: Check electrical service, be sure it is 120v 15amp minimum and that the outlet is properly grounded.

Step 3: Plug electrical cord into grounded outlet that is at least 25' from the spray area. Place pump in a well ventilated area, away from overspray and other airborne debris. Preferably, use more paint hose rather than extension cord to reach your work area. If extension cords are required, be sure it is a three wire, 12 gauge minimum cord with a grounded plug. Never remove third prong or use an adapter. Never exceed 100' of extension cord.

Step 4: Flush oil out of new paint pump: Oil is used by the factory for testing and protection. It is necessary to flush out with mineral spirits before you begin to spray.



- A. Pour a 1/2 gallon of mineral spirits into a metal container and insert syphon and return tube.
- B. Turn pressure relief prime valve down to prime position and turn unit on. Increase pressure slightly. Let solvent cycle for approximately 30 seconds. Then lift syphon tube above container and let the sprayer pump itself dry. Then turn unit off. If you are going to use water based paints, repeat procedure using water.

- Step 5: Prepare the paint according to manufacturer's recommendations. Remove any skin that may have formed and stir. Strain the paint through a fine nylon mesh bag to remove particles that could clog the spray tip and or pump.
- Step 6: Place syphon and return tubes into paint container. Turn pressure relief priming knob (located on side of pump) down for priming.
- Step 7: Turn sprayer on and turn up pressure slightly. Let circulate on prime until no bubbles filter up through the paint.
- Step 8: Hold gun firmly against a metal container, disengage trigger lock and trigger gun against side of container. Then, while gun is triggered, turn the pressure relief valve to the spray position. Keep the gun triggered until all the air is forced out of the system and the paint flows freely. Release the trigger and engage gun safety lock, set gun down while unit pressurizes.
- Step 9: Check for leaks. If any leaks occur, follow the proper pressure

AIRLESS PAINT SPRAYER

Cleaning Procedure

WARNING: High pressure device, follow all safety warnings located on sprayer and in the owner's manual. **Always clean using low pressure, with the spray tip removed. Never clean exterior of unit with solvent while unit is plugged in and/or running.**

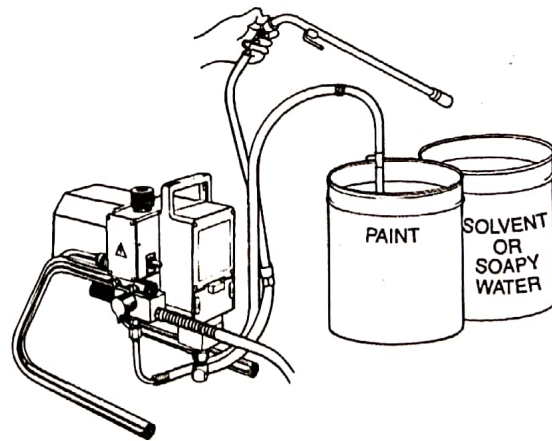
Step 1: Engage trigger safety lock on gun.

Step 2: Turn off pump and release fluid pressure, by turning the pressure relief prime valve located on the side of the pump down.

Step 3: Remove tip and let soak clean, in a small container of solvents or water. Adjust fluid pressure to lowest possible setting.

Step 4: Hold suction hose above paint container and turn the pump on, allowing the sprayer to pump itself dry, through the return hose.

Step 5: Have a container of hot soapy water if spraying latex (or suitable solvent for oil base paints,) available. Do not clean with mineral spirits if using latex paint, this will gel the product.



Always flush unit with spray tip removed into a separate metal container.

Step 6: Place suction tube into container with hot soapy water or solvents. Let circulate for 2-3 minutes, then turn unit off.

Step 7: To save paint still in spray hose, trigger gun into and against side of paint container, then turn prime valve up to spray position. Be careful of splashing. When cleaning solution appears, shut off gun and place gun in cleaning container.

- Step 8: Trigger gun and let cleaning solution circulate for approx. 2-3 minutes, then turn unit off.
- Step 9: Turn prime valve down and remove suction tube from cleaning container, turn unit on and allow sprayer to pump dry.
- Step 10: Take a clean container of water or solvent and, using low pressure, pump through system until clear. If cleaning with water, pump a small amount of LS-10 Liquid Shield through pump. This will protect against corrosion.
- Step 11: Take suction tube out of container and clean the inlet screen.
- Step 12: Check filter on pump and/or gun. Clean or replace screen.
- Step 13: Remove spray tip from solvent, clean with a soft bristle brush, blow dry and store in a dry place.

TITAN TOOL INC.



TITAN *Speeflo*



Titan Tool, Inc.
556 Commerce St.
Franklin Lakes, N.J. 07417

International Sales
Titan Tool, Inc.
556 Commerce St.

Titan Tool of Canada
200 Trowers Rd., Unit 7B
Woodbridge, Ontario L4L-5Z8